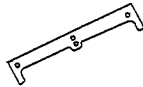
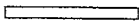
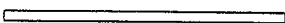
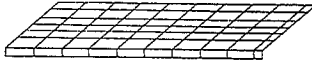



SHELF UNIT FOR PORTABLE GREENHOUSE

PACK CONTENTS

A		X8
B		X12
C		X12
D		X4
E		X8

