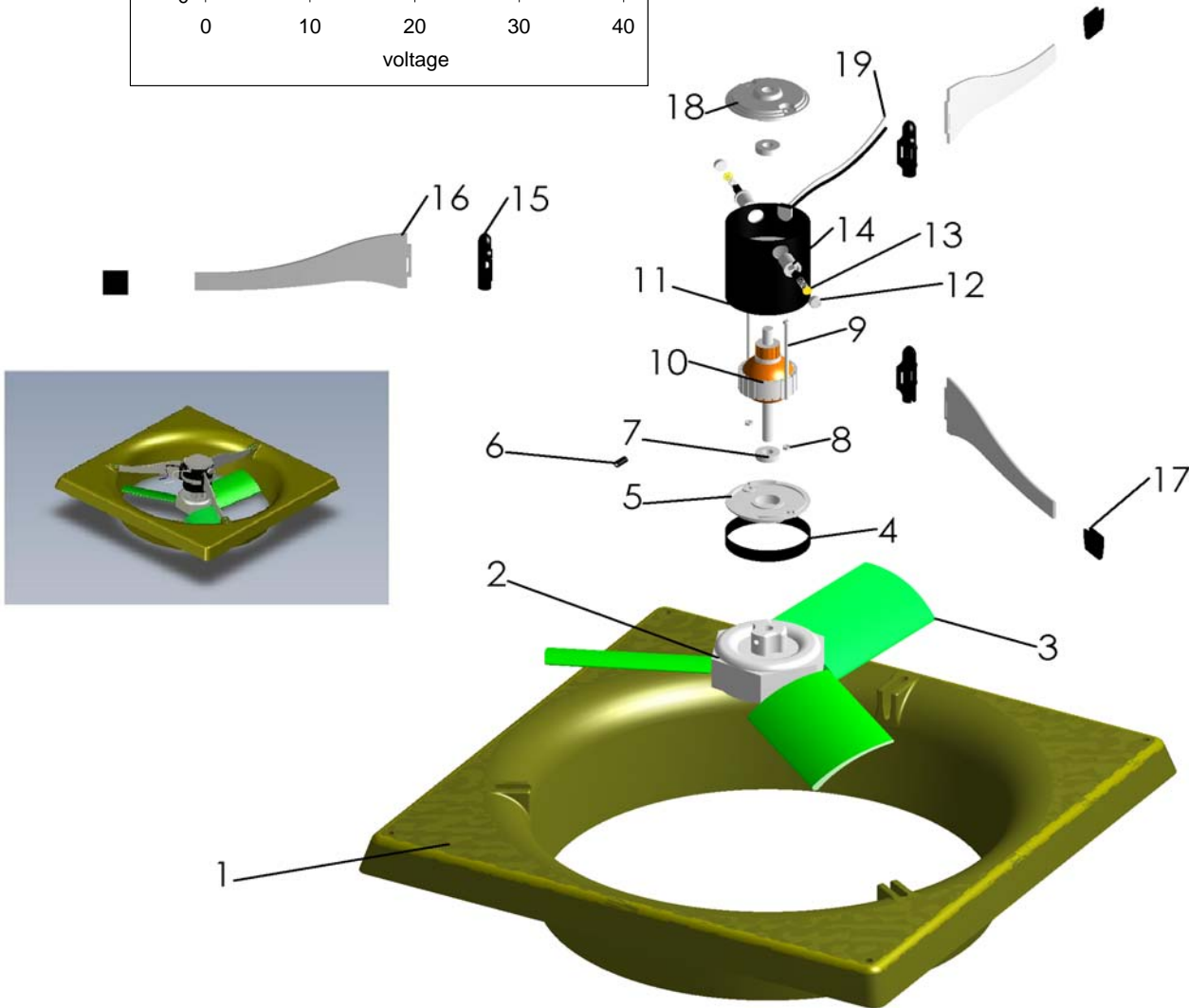
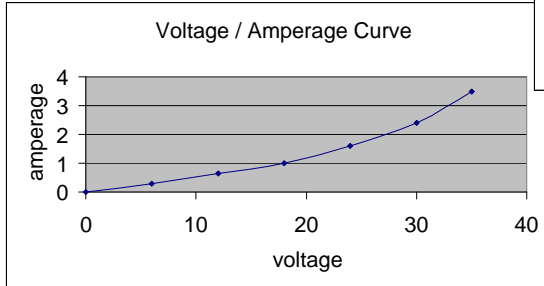
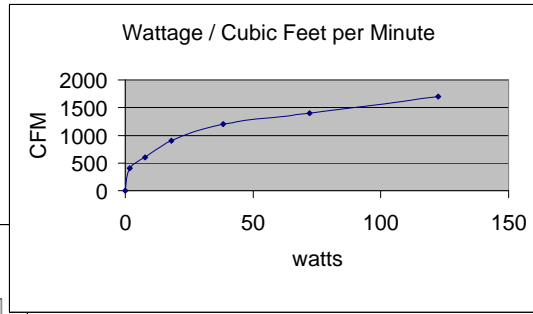


voltage rpm amp wattage cfm cfm/watt

6	406	0.3	1.8	400	222.22
12	794	0.64	7.68	600	78.13
18	1091	1	18	900	50.00
24	1403	1.6	38.4	1200	31.25
30	1688	2.4	72	1400	19.44
35	1996	3.5	122.5	1700	13.88

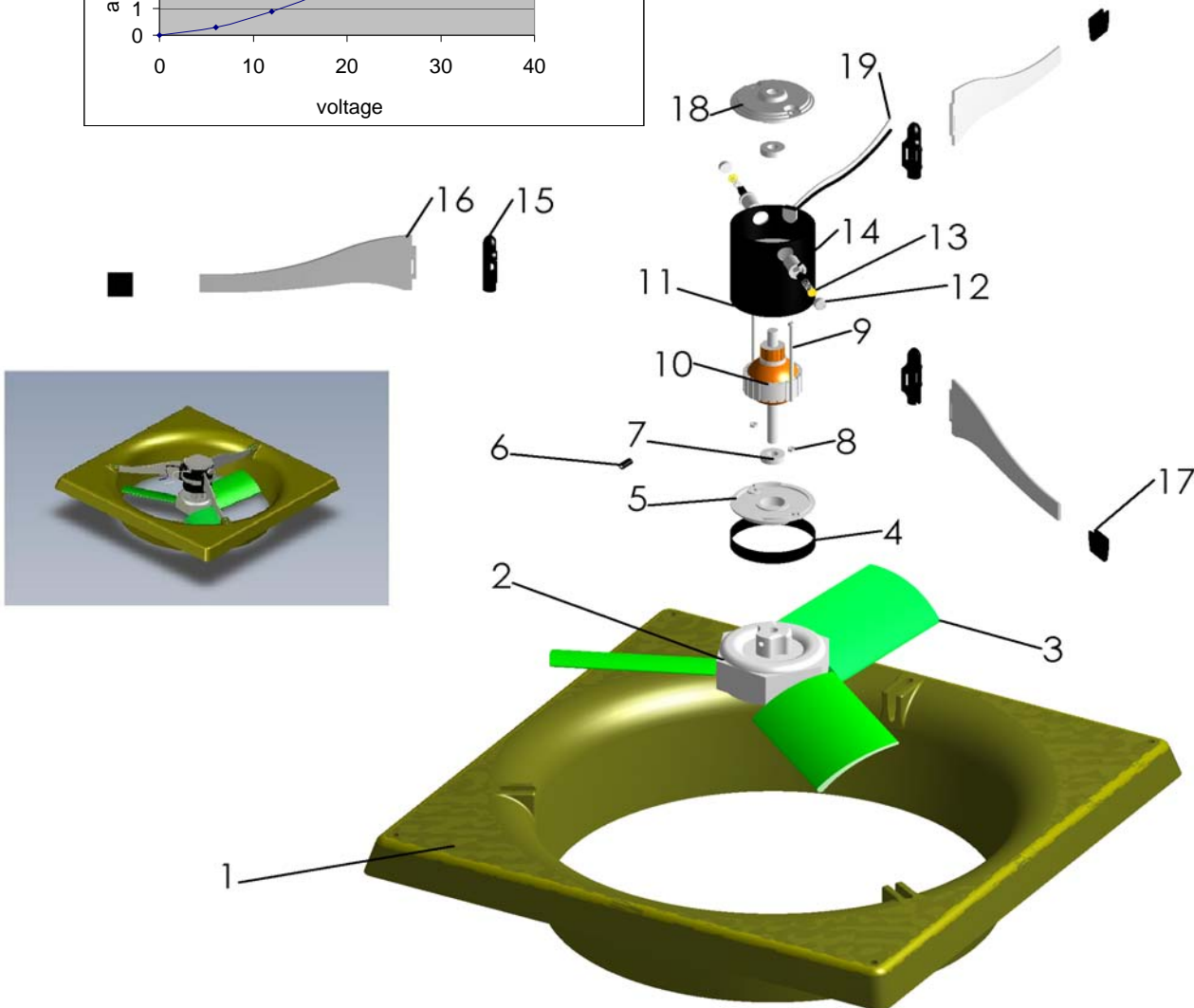
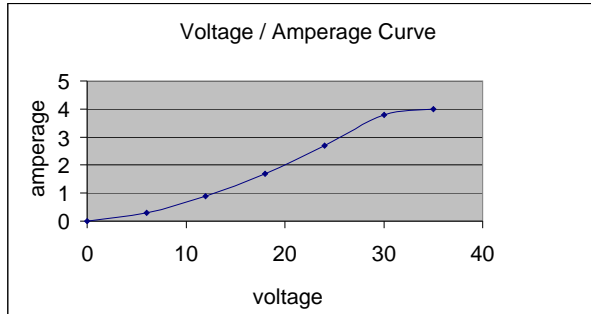
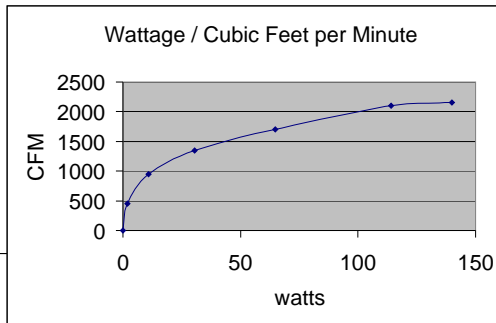


- 1 *12 inch panel - PN#
- 2 *12 inch aluminum blade hub - PN#
- 3 *12 inch plastic green blades - PN#
- 4 stainless steel compression band
- 5 *12 inch bottom motor cap - PN#
- 6 5mm allen keyed hub set screw
- 7 *12 inch bearing (1 of 2)
- 8 nut (1 of 4)
- 9 bolt (1 of 4)
- 10 *12 inch armature

- 11 *12 inch motor case - PN#
- 12 *12 inch brush end cap (1 of 2) - PN#
- 13 *12 inch brush (1 of 2) - PN#
- 14 *12 inch brush sleeve (1 of 2) - PN#
- 15 *12 inch motor mount (1 of 3) - PN#
- 16 *12 inch arm set (1 of 3) - PN#
- 17 * rubber shim (1 of 3) - PN#
- 18 *12 inch motor top cap - PN#
- 19 connection wires

voltage rpm amp wattage cfm cfm/watt

6	432	0.3	1.8	450	250.00
12	863	0.9	10.8	950	87.96
18	1222	1.7	30.6	###	44.12
24	1545	2.7	64.8	###	26.23
30	1826	3.8	114	###	18.42
35	1866	4	140	###	15.36

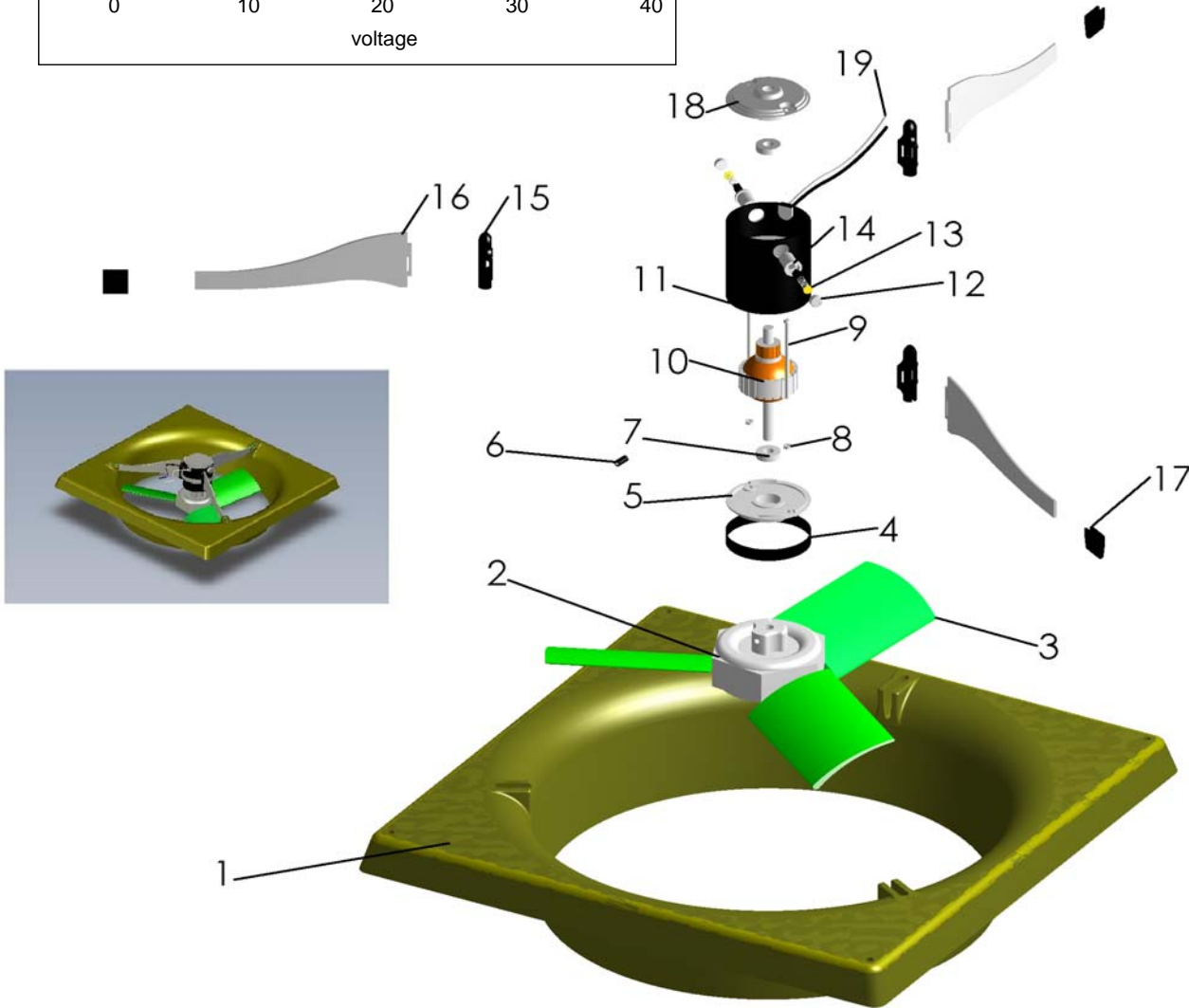
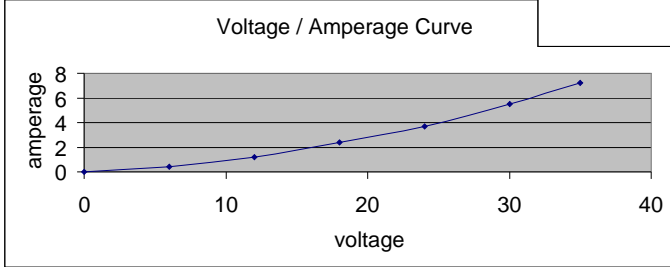
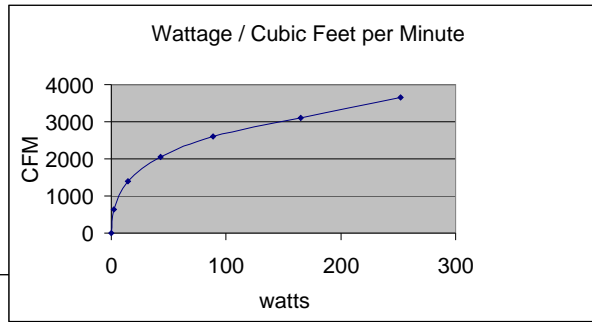


- 1 *16 inch panel - PN#
- 2 *16 inch aluminum blade hub - PN#
- 3 *16 inch plastic green blades - PN#
- 4 stainless steel compression band
- 5 *16 inch bottom motor cap - PN#
- 6 5mm allen keyed hub set screw
- 7 *12 inch bearing (1 of 2)
- 8 nut (1 of 4)
- 9 bolt (1 of 4)
- 10 *16 inch armature

- 11 *16 inch motor case - PN#
- 12 *16 inch brush end cap (1 of 2) - PN#
- 13 *16 inch brush (1 of 2) - PN#
- 14 *16 inch brush sleeve (1 of 2) - PN#
- 15 *16 inch motor mount (1 of 3) - PN#
- 16 *16 inch arm set (1 of 3) - PN#
- 17 * rubber shim (1 of 3) - PN#
- 18 *16 inch motor top cap - PN#
- 19 connection wires

voltage rpm amp watt cfm cfm/watt

6	383	0.4	2.4	640	266.67
12	782	1.2	14.4	###	97.22
18	1134	2.4	43.2	###	47.45
24	1443	3.7	88.8	###	29.28
30	1714	5.5	165	###	18.79
35	1961	7.2	252	###	14.48

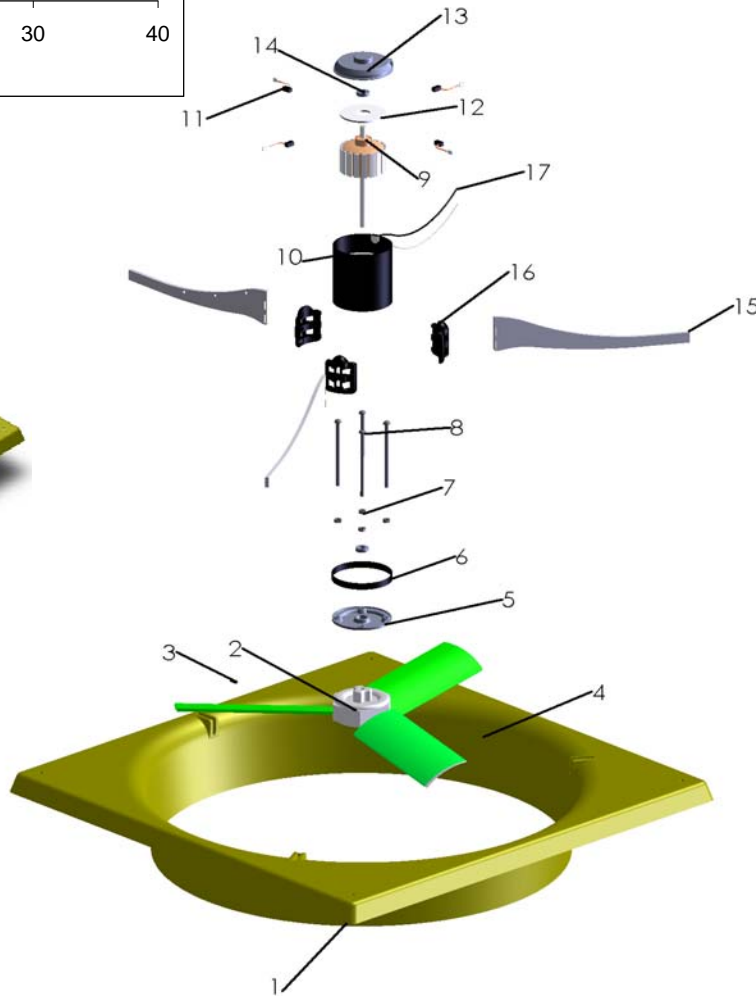
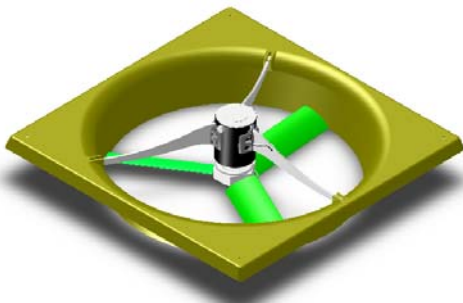
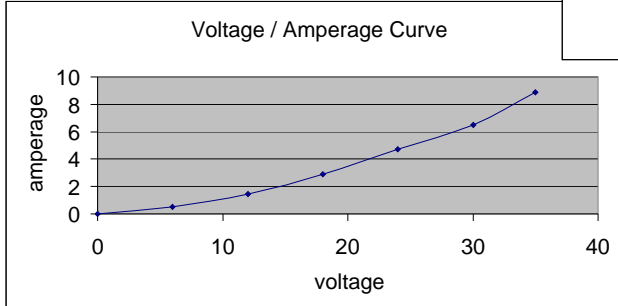
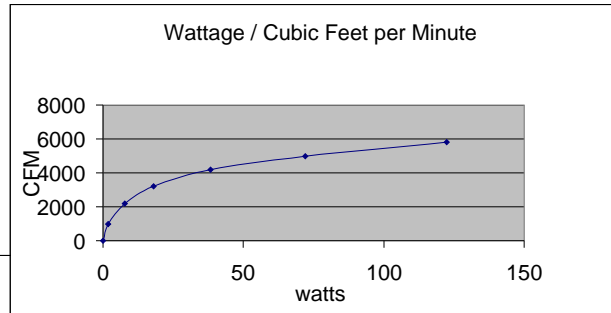


- 1 *20 inch panel - PN#
- 2 *20 inch aluminum blade hub - PN#
- 3 *20 inch plastic green blades - PN#
- 4 stainless steel compression band
- 5 *20 inch bottom motor cap - PN#
- 6 5mm allen keyed hub set screw
- 7 *20 inch bearing (1 of 2)
- 8 nut (1 of 4)
- 9 bolt (1 of 4)
- 10 *20 inch armature

- 11 *20 inch motor case - PN#
- 12 *20 inch brush end cap (1 of 2) - PN#
- 13 *20 inch brush (1 of 2) - PN#
- 14 *20 inch brush sleeve (1 of 2) - PN#
- 15 *20 inch motor mount (1 of 3) - PN#
- 16 *20 inch arm set (1 of 3) - PN#
- 17 * rubber shim (1 of 3) - PN#
- 18 *20 inch motor top cap - PN#
- 19 connection wires

voltage rpm amp wattage cfm cfm/watt

6	406	0.3	1.8	1000	555.56
12	794	0.64	7.68	2200	286.46
18	1091	1	18	3200	177.78
24	1403	1.6	38.4	4200	109.38
30	1688	2.4	72	5000	69.44
35	1996	3.5	122.5	5800	47.35

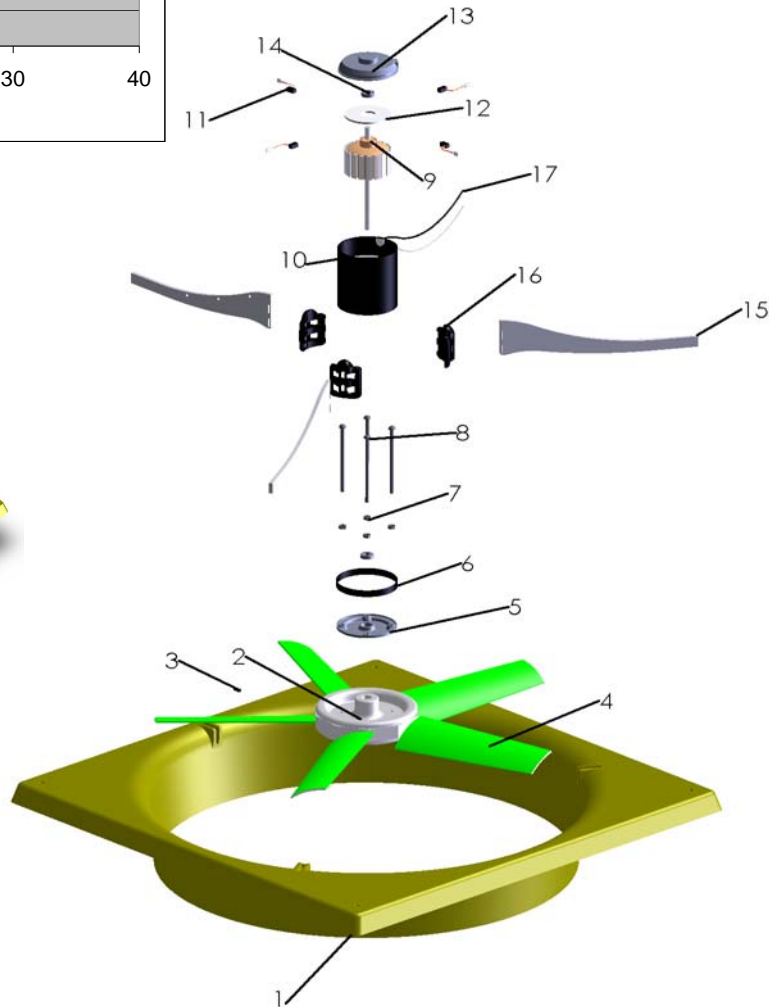
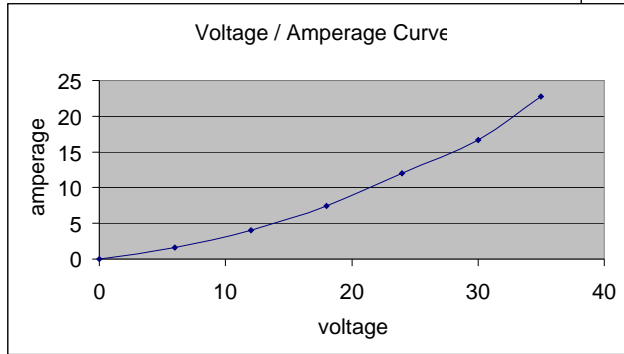
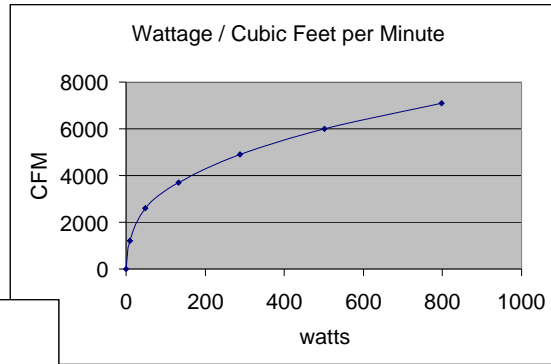


- 1 *24 inch panel - PN#
- 2 *24 inch aluminum blade hub - PN#
- 3 5mm allen keyed hub set screw
- 4 *24 plastic green blades - PN#
- 5 *24 inch bottom motor cap - PN#
- 6 stainless steel compression band
- 7 nut (1of4)
- 8 bolt (1 of 4)
- 9 *24 inch armature
- 10 *24 inch motor case - PN#

- 11 *24 inch motor case - PN#
- 12 *24 inch brush (1 of 4)- PN#
- 13 *24 inch motor top cap - PN#
- 14 *24 inch bearing (1 of 2) - PN#
- 15 *24 inch arm set (1 of 3) - PN#
- 16 *24 inch motor mount (1 of 3) - PN#
- 17 connection wires

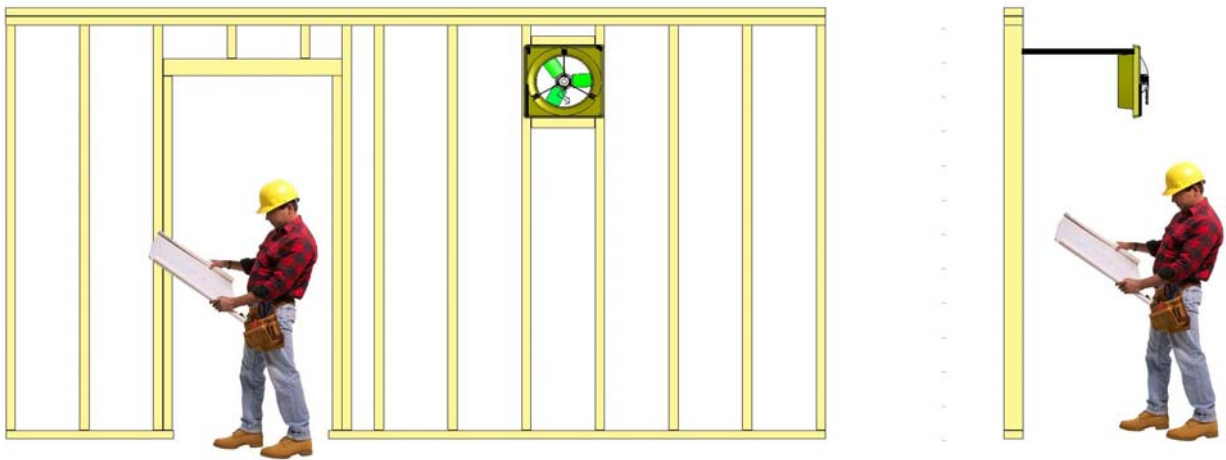
voltage rpm amp watt cfm cfm/watt

6	355	1.6	9.6	1200	125.00
12	698	4	48	2600	54.17
18	1011	7.4	133.2	3700	27.78
24	1318	12	288	4900	17.01
30	1602	17	501	6000	11.98
35	1865	23	798	7100	8.90

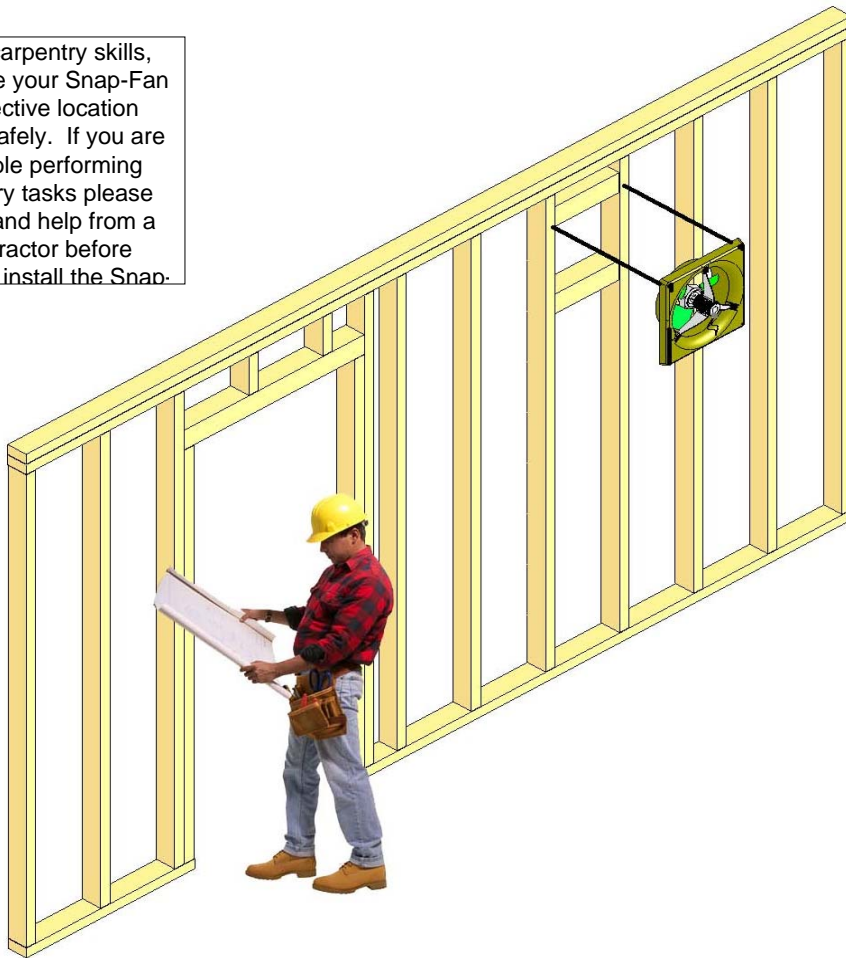


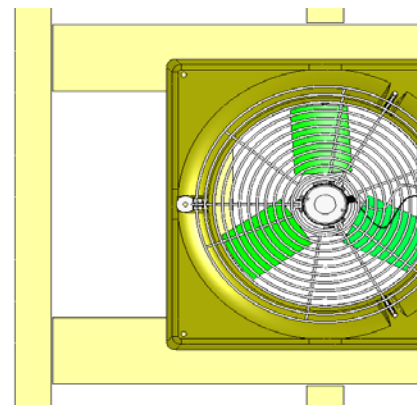
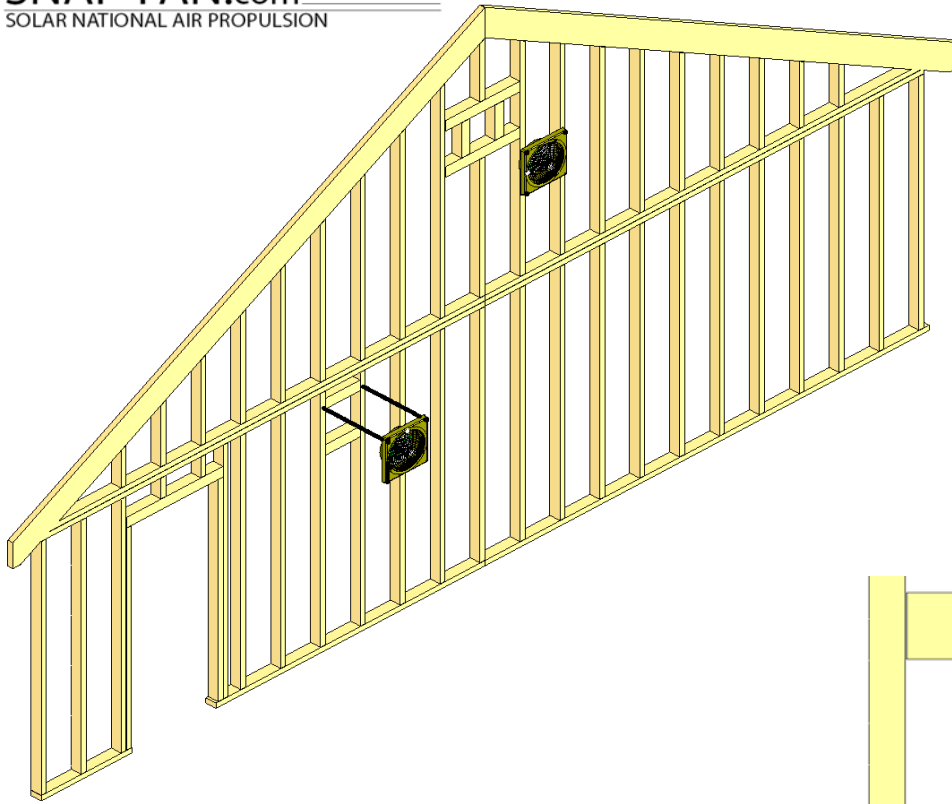
- 1 *28 inch panel - PN#
- 2 *28 inch aluminum blade hub - PN#
- 3 5mm allen keyed hub set screw
- 4 *28 plastic green blades - PN#
- 5 *28 inch bottom motor cap - PN#
- 6 stainless steel compression band
- 7 nut (1of4)
- 8 bolt (1 of 4)
- 9 *28 inch armature
- 10 *28 inch motor case - PN#

- 11 *28 inch motor case - PN#
- 12 *28 inch brush (1 of 4)- PN#
- 13 *28 inch motor top cap - PN#
- 14 *28 inch bearing (1 of 2) - PN#
- 15 *28 inch arm set (1 of 3) - PN#
- 16 *28 inch motor mount (1 of 3) - PN#
- 17 connection wires



Using basic carpentry skills, you can place your Snap-Fan in a safe, effective location quickly and safely. If you are not comfortable performing such carpentry tasks please seek advice and help from a licensed contractor before attempting to install the Snap-





Using basic carpentry skills, you can place your Snap-Fan in a safe, effective location quickly and safely. If you are not comfortable performing such carpentry tasks please seek advice and help from a licensed contractor before attempting to install the Snap-

